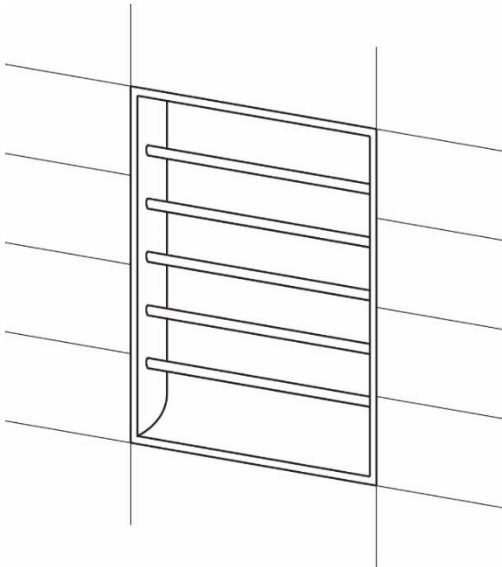


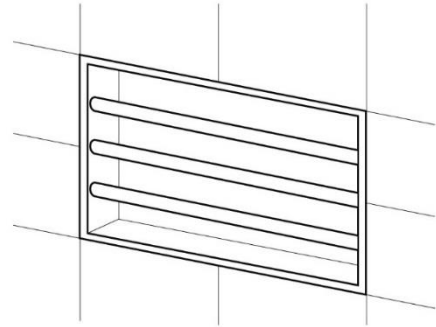
easyniche[®]

Recessed Towel Warmer

ENTW-RF612 White / Black



ENTW-RF86 White / Black



Specifications:

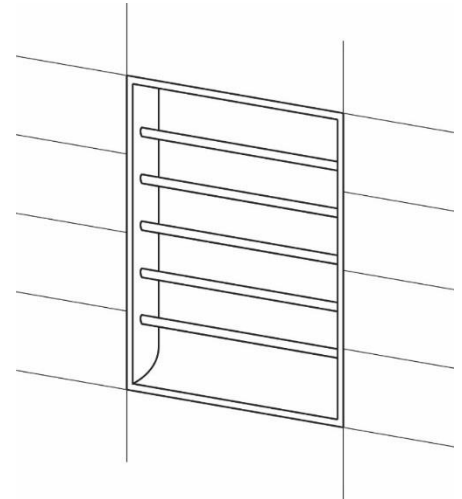
- 304 Stainless Steel rails
- Moulded recess
- 12v isolating transformer
- Wattage: 52.3W
- Standard. AS/NZS. 60335.2.43
- Safety Rating – IP45

Electrical Information

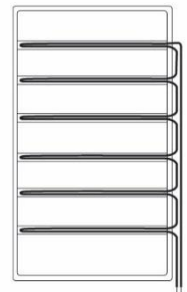
- Must be installed by a registered electrician
- The 12v isolating transformer supplied must be located in a dry accessible position and not covered by any insulation
- The distance of the transformer to the heated rail is determined by the pre-connected cables (0.5m from side of towel warmer recess).
- The transformer should be located in the wall cavity behind the switch.
- A method for disconnection must be incorporated in the fixed wiring in accordance with wiring guidelines AS/NZS3000:2000.
- The towel warmer may be mounted in wet area electrical zones 1,2 & 3 as specified in AS/NZS3000:2000
- Manufactured and tested to AS/NZS60335.2.43

Recessed Towel Warmer

600 x 1200



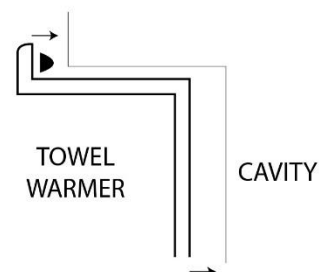
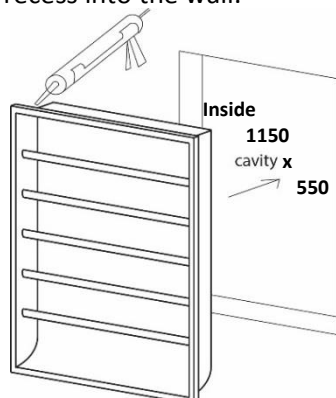
1. Measure & mark recess size on wall. Cut a hole through wall lining surface. The recess size should be 1150x550 maximum.
2. The Towel Warmer requires a 90mm wall cavity. Pre-check the moulded recess into the wall cavity.
3. Heating wires are fed through each rail from one side of the towel warmer box. Care must be taken not to pull on the wires during installation. Wires that are moved during installation will cause the rails to not heat as designed.
4. Connect the transformer to the wall switch.
5. Connect low voltage tails to the transformer (they are non-directional).



Do not pull or apply force to the cold tails when carrying out installation. Pulling on these wires will affect correct function of the towel warmer.

The towel warmer is to be tested prior to final installation to ensure that the heated rails are working correctly. Place a towel over the rails and ensure that each rail is heated completely.

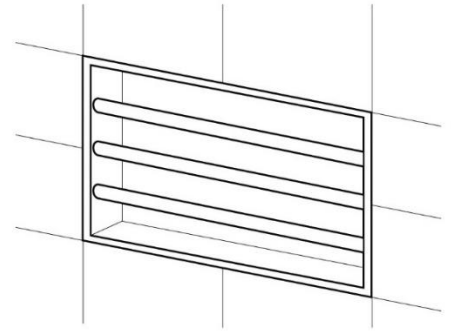
6. Apply construction adhesive to the back of the towel warmer recess in vertical lines as well as around the back of the flange.
7. Insert the moulded recess into the wall.



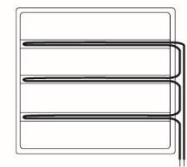
8. Prop back into position and allow to set for 24 hours minimum.

Recessed Towel Warmer

800 x 600



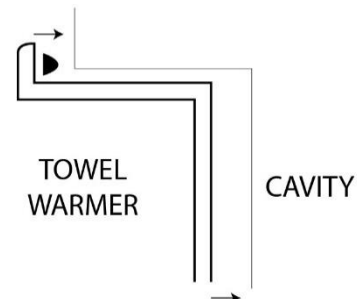
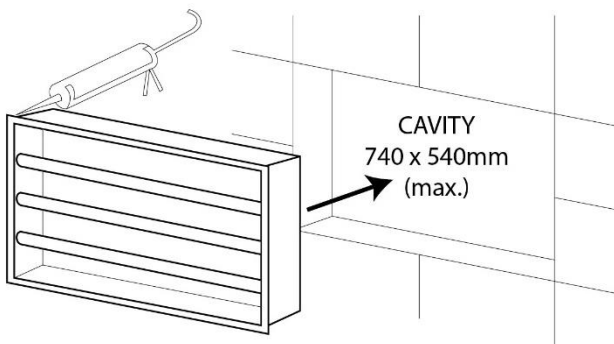
1. Measure & mark recess size on wall. Cut a hole through wall lining surface. The recess size should be 740x540 maximum.
2. The Towel Warmer requires a 90mm wall cavity. Pre-check the moulded recess into the wall cavity.
3. Heating wires are fed through each rail from one side of the towel warmer box. Care must be taken not to pull on the wires during installation. Wires that are moved during installation will cause the rails to not heat as designed.
4. Connect the transformer to the wall switch
5. Connect the low voltage tails to the transformer (they are non-directional)



Do not pull or apply force to the cold tails when carrying out installation. Pulling on these wires will affect correct function of the towel warmer.

The towel warmer is to be tested prior to final installation to ensure that the heated rails are working correctly. Place a towel over the rails and ensure that each rail is heated completely.

6. Apply construction adhesive to the back of the towel warmer recess in vertical lines as well as around the back of the flange.
7. Insert the moulded recess into the wall.



8. Prop back into position and allow to set for 24 hours minimum.

Rail Heating

After being switched on for more than one hour the rails should feel warm to the touch. Where the rails are covered with towels, they will be hot to touch. The exposed rails around the towels will remain only warm.

Switch & timer

The towel warmer must have a switch in the bathroom which can be identified as the towel warmer switch.

This is typically a separate switch mounted near to the towel warmer.

If required a Power Saving Device must be 230v and should be connected behind the isolating switch, between the switch and the transformer.

Warranty

5 Years on EasyNiche Towel Warmer and Stainless Steel Rails

12 Months on Electrical Components

Warranty excludes wires that have been pulled out during installation causing rails not to heat evenly