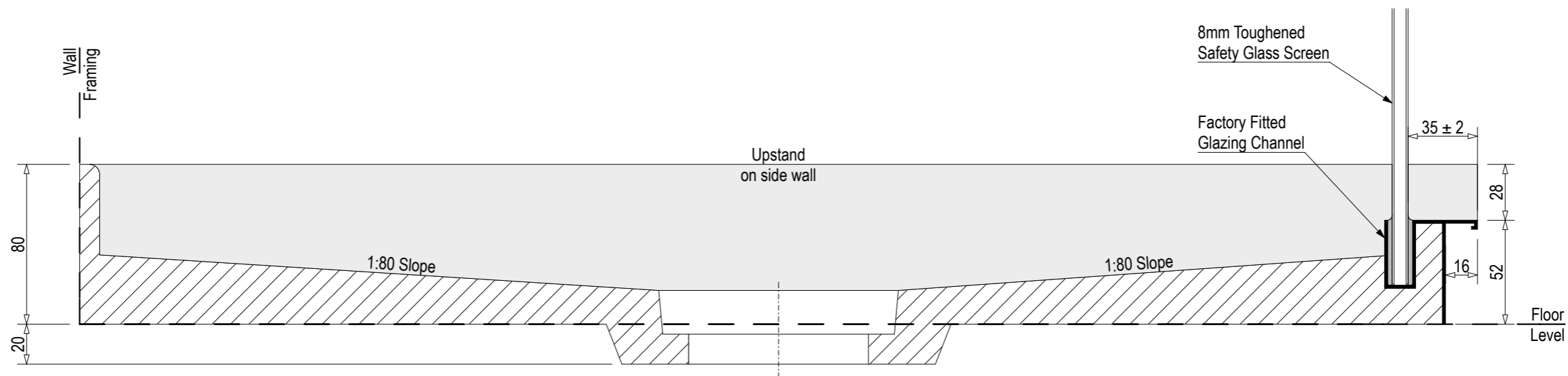
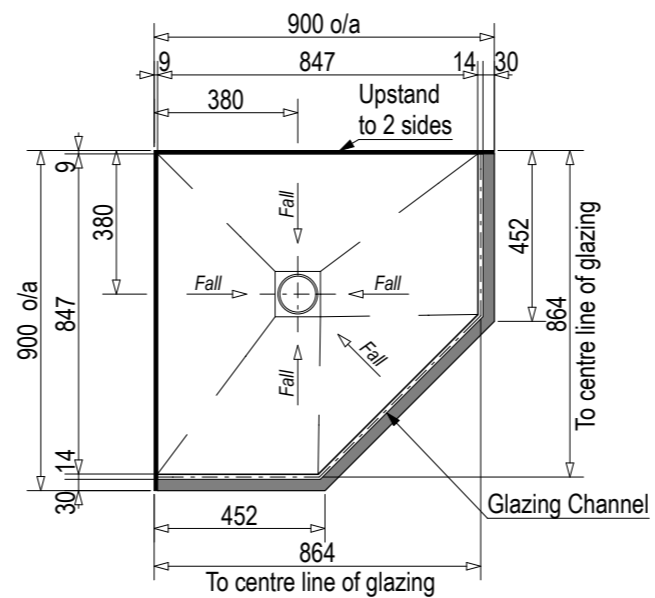
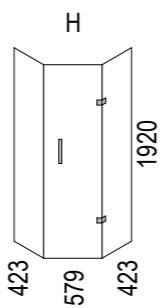


SKU: ET-AMB



Note: Verify exact shower base dimensions on site

Screen Options:



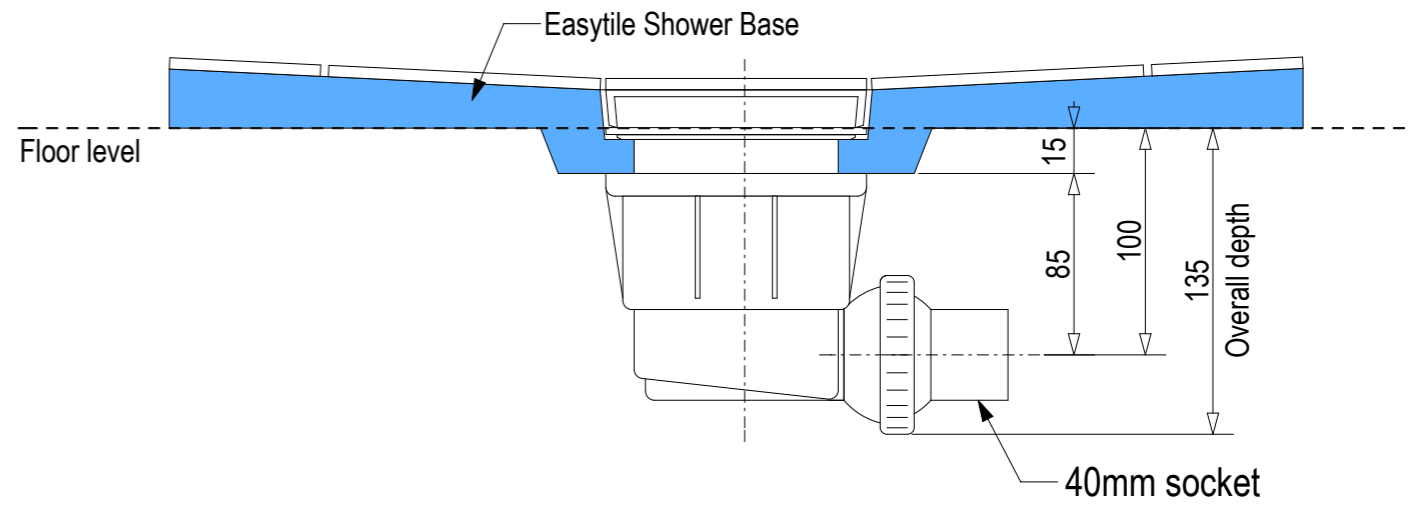
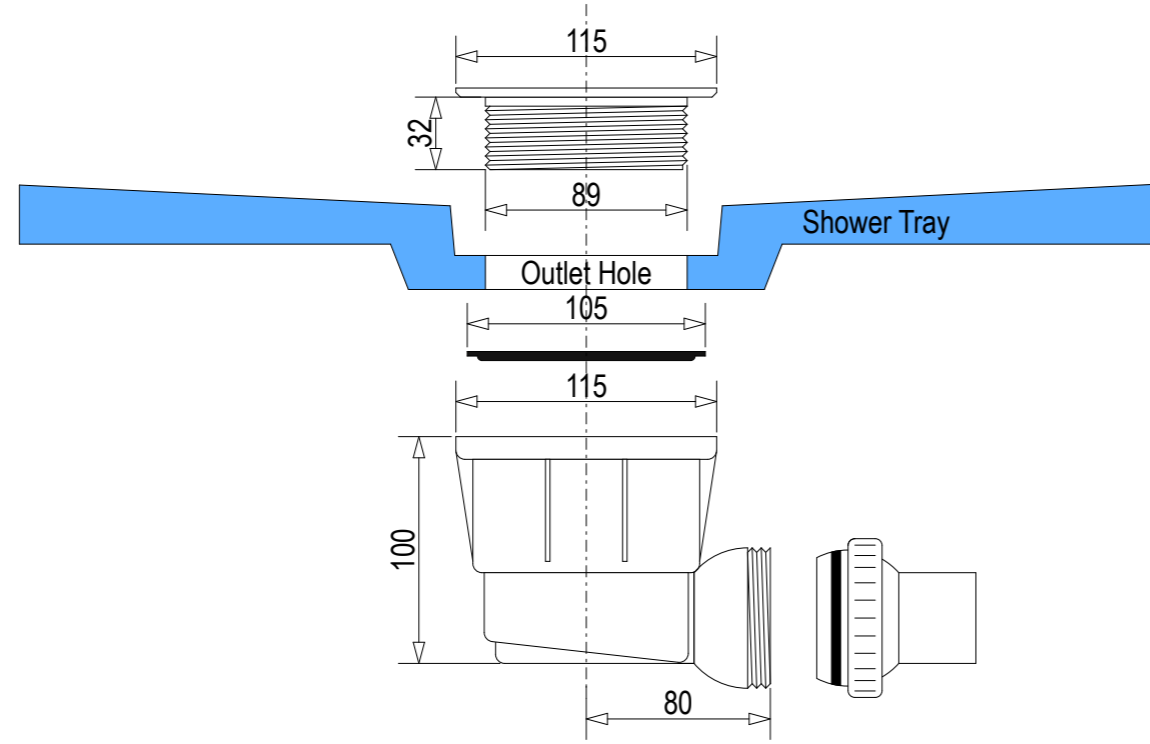
Screens are reversible

For more product information go to:

www.atlantis.co.nz/shop/easytile/ambience-900x900/

For installation instructions go to:

www.atlantis.co.nz/trade/installation/



Ensure a minimum recess size of 250mm wide x 250mm long x 150mm deep for the channel drain and waste outlet

