



BASE AND WASTE FITTING INSTRUCTIONS

EASYTILE

EASY CLEAN WASTE FITTING

Included in this package – BFK-ET-2017:

- | | | |
|-----|--|---|
| 1 x | Tile Over waste insert & top | <input type="checkbox"/> |
| 1 x | Waste Fitting – 40mm Easy Clean | <input type="checkbox"/> |
| 1 x | Waste lid removal tool (WLRT) | <input type="checkbox"/> |
| 1 x | Waste installation key | <input type="checkbox"/> |
| 2 x | Construction adhesive | <input type="checkbox"/> <input type="checkbox"/> |
| 1 x | White NG silicone | <input type="checkbox"/> |
| 1 x | Quick Start Guide | <input type="checkbox"/> |
| 1 x | Base fitting instructions (this booklet) | <input type="checkbox"/> |

Other equipment required

- Broom
- Accurate level
- Adhesive application / caulking gun
- Tape measure
- Levelling compound and associated equipment (only required for shower base being installed into a concrete recess)

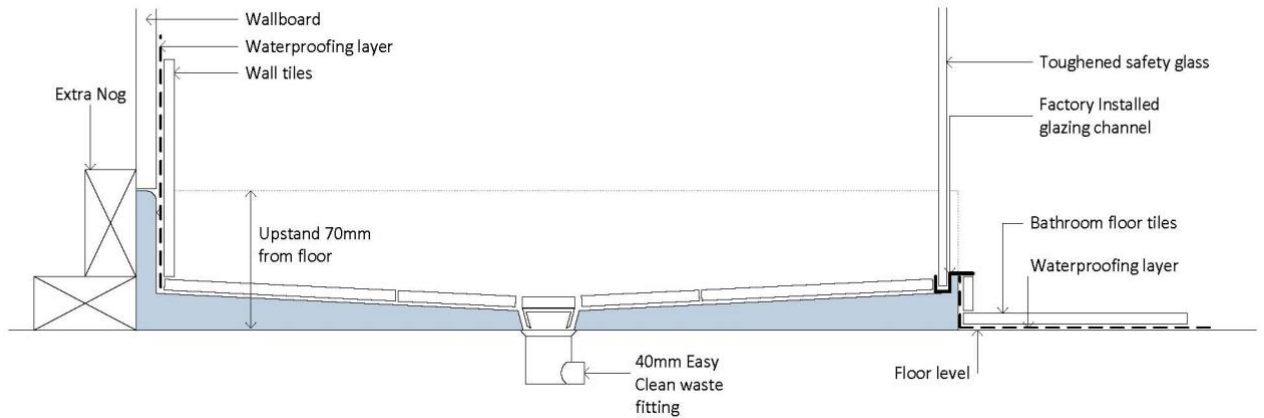
*TO MAKE SURE THAT YOU HAVE THE MOST UP TO DATE INSTRUCTIONS, SCAN THE FOLLOWING **QR CODE**. THIS WILL LINK YOU TO THE LATEST INSTRUCTION FILE ON OUR WEBSITE:*



The installation process requires the body of the waste fitting to be installed prior to the installation of the base. This should be undertaken by a qualified plumber.

Atlantis showers are supplied with SturdiBond to adhere the base to the floor substrate. It is recommended that Gorilla Grip is used if the temperature drops below 5 degrees.

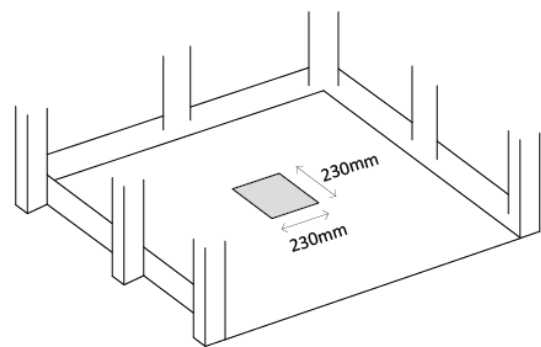
EASYTILE



FLOOR PREPARATION – on any floor type

1. Sweep floor free of dust
2. Provide a hole for the waste fitting to a minimum size of 230mm x 230mm, FIGURE 1, in the correct position to suit the shower base.
3. Dry fit the shower base onto the flooring to ensure it is able to be installed level. The top of the glazing channel(s) and top edges of the upstands must be level. Re-check that the Waste Body Assembly is correctly aligned with the centre of the base hole. Ensure all base rings are supported by flooring.

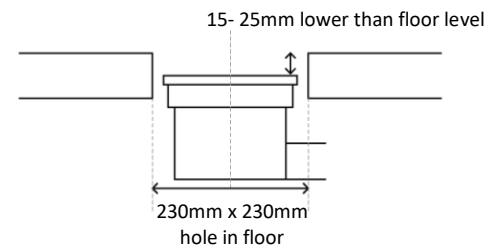
FIGURE 1



NOTE: It is the responsibility of the installer to:

- Ensure the shower base has been installed level, and
- Ensure that the shower base drains sufficiently before the shower base is adhered to the floor

FIGURE 2



WASTE PREPARATION

When setting up the waste allow some flexibility/movement in the waste body for ease of installation.

4. Separate the components of the waste into:
 - A. the inner ring and waste cup
 - B. the waste body and body seal
5. Connect the waste body to the pipework, FIGURE 2, ensuring that the body seal is in the correct position and 15-25mm below the floor level, as in FIGURE 2 and 3

FIGURE 3



BASE INSTALLATION

6. Clear floor of all debris and dust
7. Apply supplied construction adhesive liberally to the webbed support rings
8. Install base in final position, ensuring that it is level
9. The inside face of the upstand must be flush with the inside face of the wall board.
10. Allow suitable time for the base adhesive to cure. Keep the shower base surface free of dust and dirt prior to the application of your interlayer/waterproofing/tiles to the base.

WASTE CONNECTION

11. Insert the inner ring through the waste outlet in the shower base and screw the inner ring into the waste body. Hand tighten using the installation key.
12. Place the waste cup and Easy Clean component (not pictured) into position within the inner ring.

TILE OVER WASTE INSERT

13. When tiling waste insert, pack tile as required to ensure it is flush with the top of the inside Stainless Steel waste insert (FIGURE 4)
14. Adjust Stainless Steel Tile waste insert using grub screws to suit tile height as shown in FIGURE 5. Grub Screws are to be adjusted from the top.

FIGURE 4

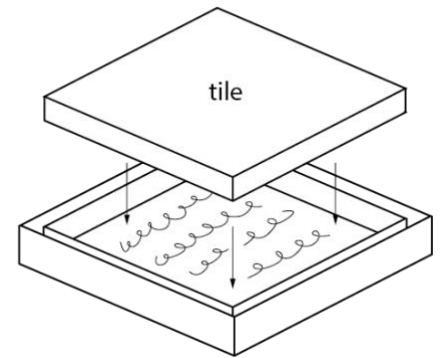
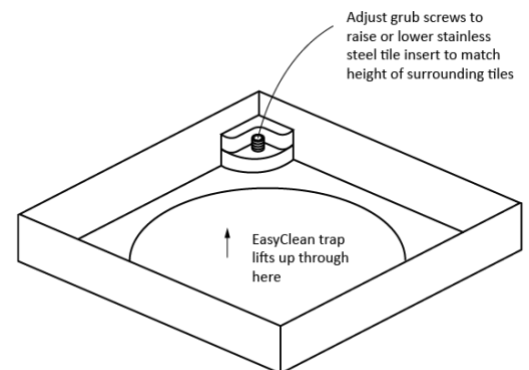


FIGURE 5



IMPORTANT NOTES

- The wall glazing channels must be fitted to the wall after waterproofing, **prior to tiling**.
- Ensure the shower base has been installed level.
- Prior to tiling: the acrylic surface of this shower base must be sanded to achieve adequate adhesion. The base must be sanded in a North, South, East, West direction. For a list of compatible tile adhesives visit www.atlantis.net.nz/trade/tiling