



# Liner Fitting Instructions

## LINER FITTING KIT – Two wall

### Components:

- 1 x Liner Fitting Instructions
- 3 x Showerbond
- 1x White Silicon

- 
- 
- 

### Other equipment required:

- Drill
- Hole Saw
- Pencil
- Adhesive Application Gun

Checked by: \_\_\_\_\_

Date: \_\_\_\_\_

## LINER FITTING KIT – Three wall

### Components:

- 1 x Liner Fitting Instructions
- 4 x Showerbond
- 1 x White Silicon

- 
- 
- 

### Other equipment required:

- Drill
- Hole Saw
- Pencil
- Adhesive Application Gun

Checked by: \_\_\_\_\_

Date: \_\_\_\_\_



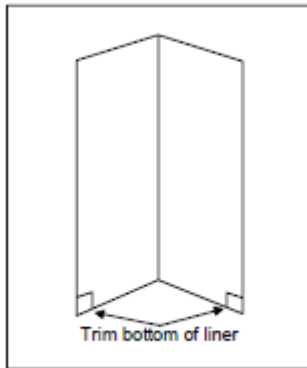
**PLEASE NOTE – Acrylic liners should not be stored in a folded position for an extended period. If the Acrylic liner is not installed within 2 weeks of manufacture the liner should be stored with the folds sitting at 90 degrees.**

**Should the liner have taken on an overfold, please see solution below the instructions.**

**1. WALL LINING PREPARATION**

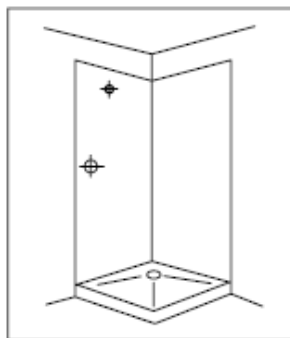
Ensure the rear side of the liner is clean and dust free. Cut bottom corners of liner to clear base channels as shown. Tin snips may be used for this.

The surface on which the liner is to be installed must be dust free and unpainted. Failure to comply will void warranty.



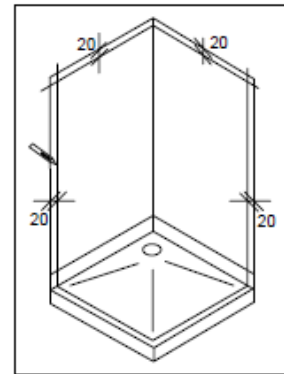
**2. DRILL WALL LINING FOR TAPWARE**

Trim bottom of wall liner to sit over base channel onto floor of tray. Carefully measure and mark for plumbing protrusions. Drill a small pilot hole through the lining from the front surface. Cut the large holes from the back of the lining.



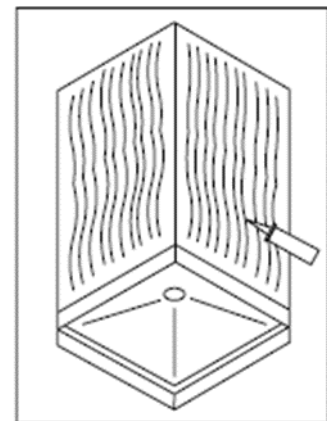
**3. ADHESIVE APPLICATION**

Measure and mark 20mm smaller than the wall liner for glue application area. Dry fit Wall Lining to check the lining fits correctly on base and around tapware. Use a small wood plane to trim bottom edge of the wall lining if necessary.



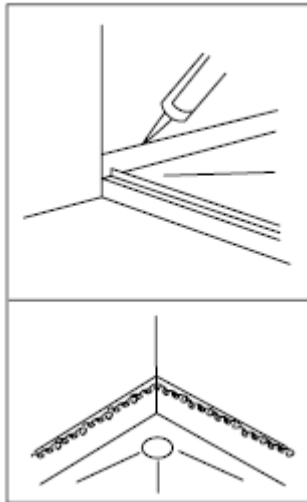
**4.** Apply the wall lining adhesive in 6mm beads vertically at 70mm centres to the complete wall area (do not apply to the base upstand).

Start first vertical line 30mm from internal corners.

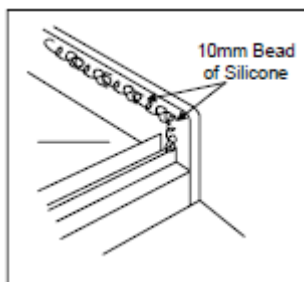


**5. SILICON APPLICATION TO SHOWER BASE UPSTAND**

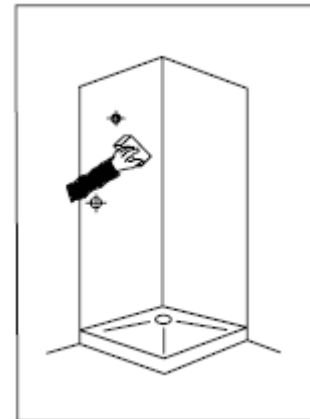
Apply a continuous 10mm bead of white silicon horizontally 15mm below the top of the upstand and return it down to the base channel at each end as indicated.



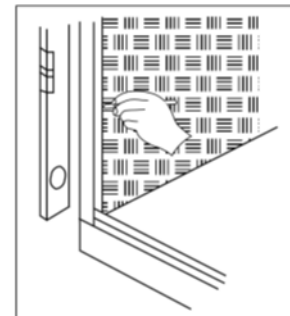
**6. Ensure silicon oozes out from under wall lining at base channel locations each side.**



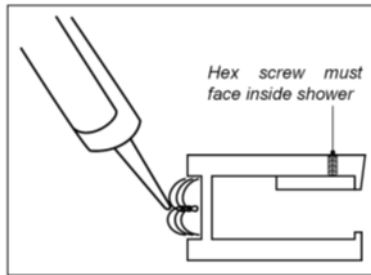
**7. Place lining carefully in position. Ensure protective film is intact. Smooth air out from behind lining with a padded block or similar. Work from the internal corner out towards the sides. Prop liner in place if necessary. 100% contact should be achieved to the wall and base upstand. When complete, wipe off any excess silicon below lining. Peel back the protective film clear of the sides for the wall channels.**



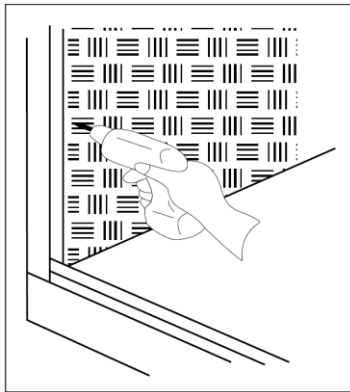
**8. Position the wall channel over the base glazing channel. Mark the wall to indicate where the wall channel is plumb. The machine recess in the wall channel must firmly locate over the base glazing channel**



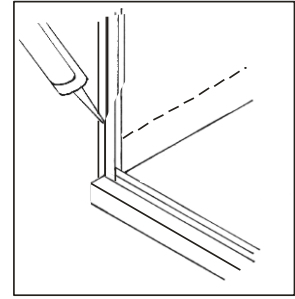
9. Mask 2 sides of wall channel. Apply a 10mm continuous bead of Sika NG Artic White silicon to the full length of wall channels in the groove as indicated. Silicon seal the joint where the wall channel and base intersect



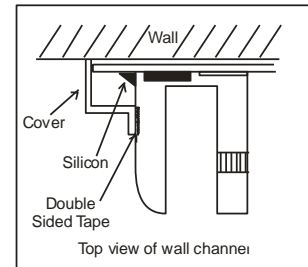
10. Ensure the wall channel is located firmly over the base glazing channel. Locate framing timber, using 4mm drill bit to drill holes through wall channels. Fix four screws into each channel (use wall plugs if required) Ensure the wall channels are plumb.



11. Apply an additional bead of silicon to the outside of the acrylic liner.



12. Fix liner cover (Z Flashing) to wall channel covering exposed liner edge as shown



# Overfolded Liner solution

